

VER. III

Fig.1. Main model outline.

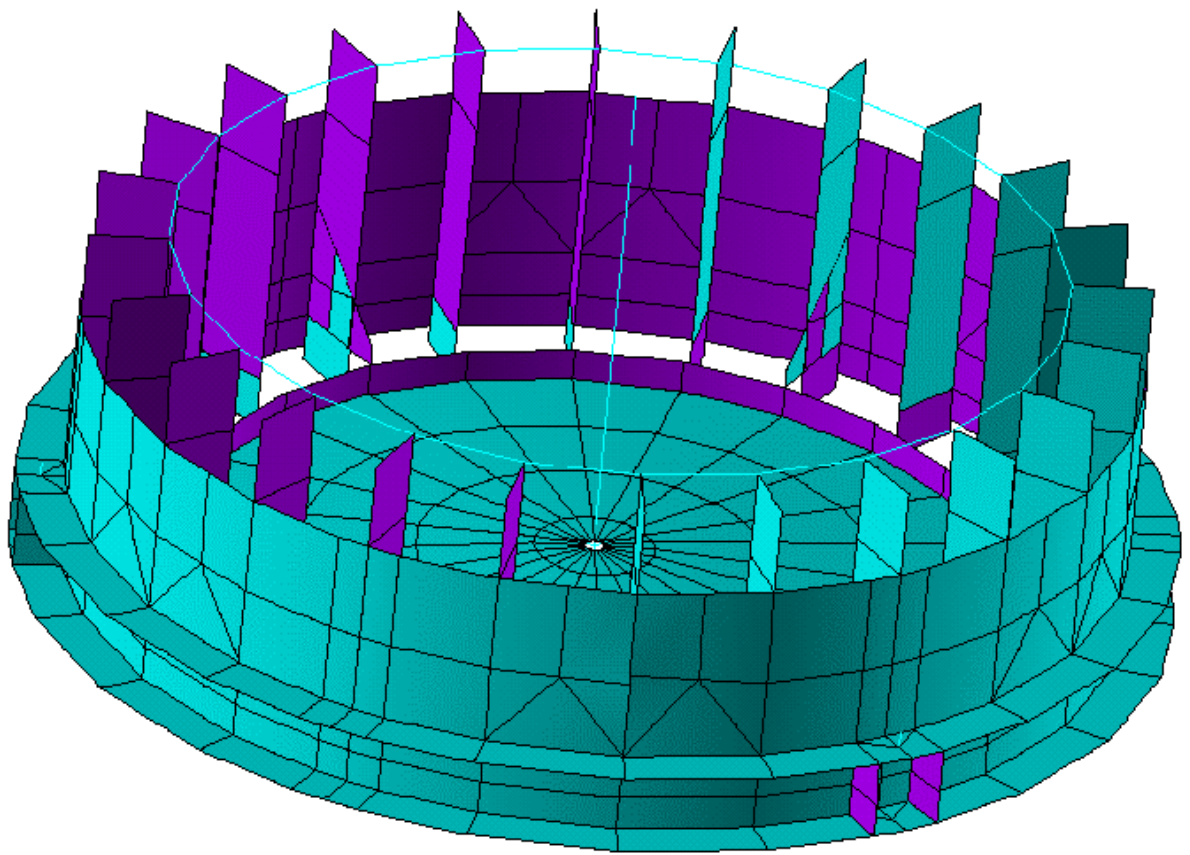


Fig.2 Drum Assembly

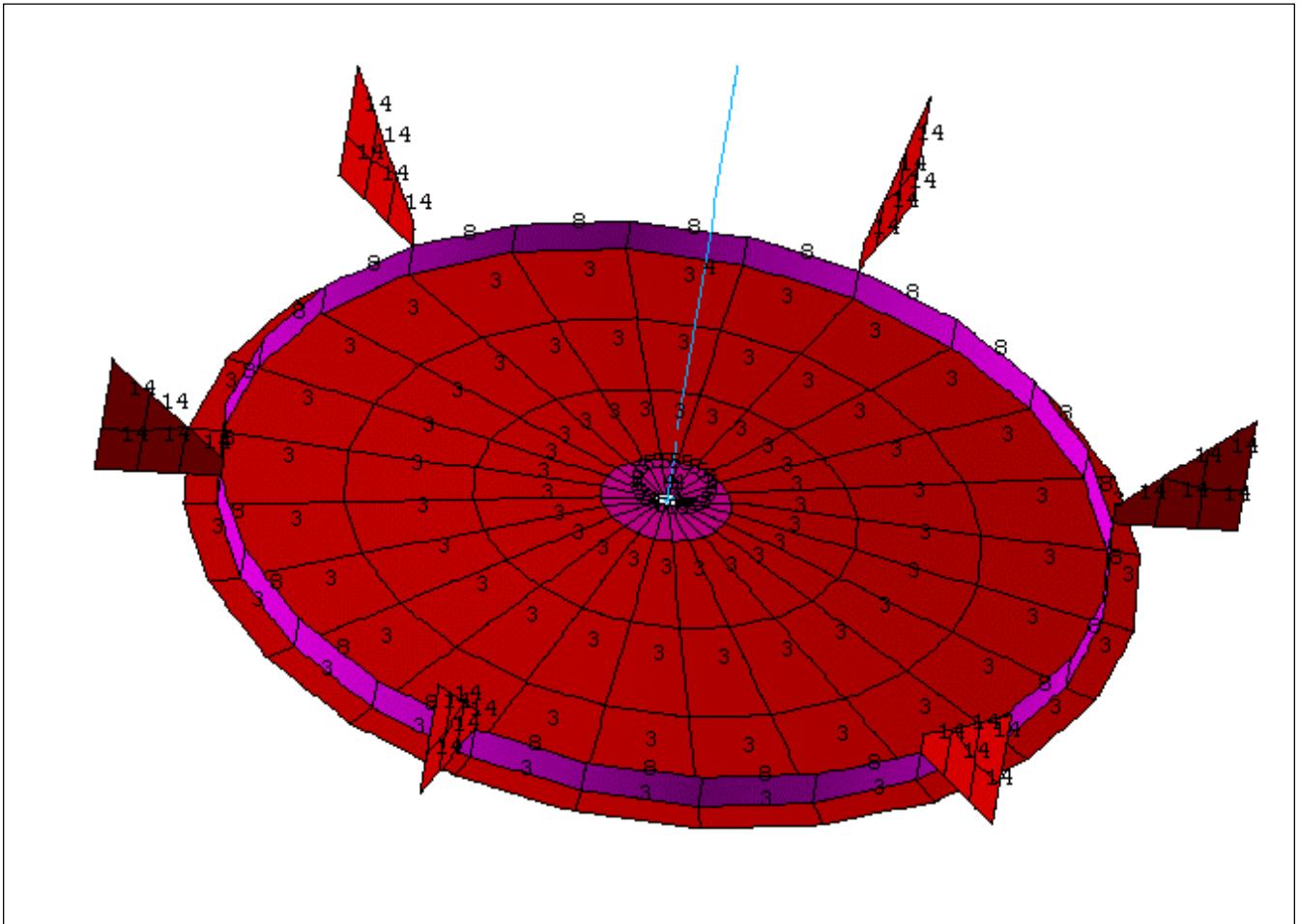


Fig.3 Field plate with supporting brackets.

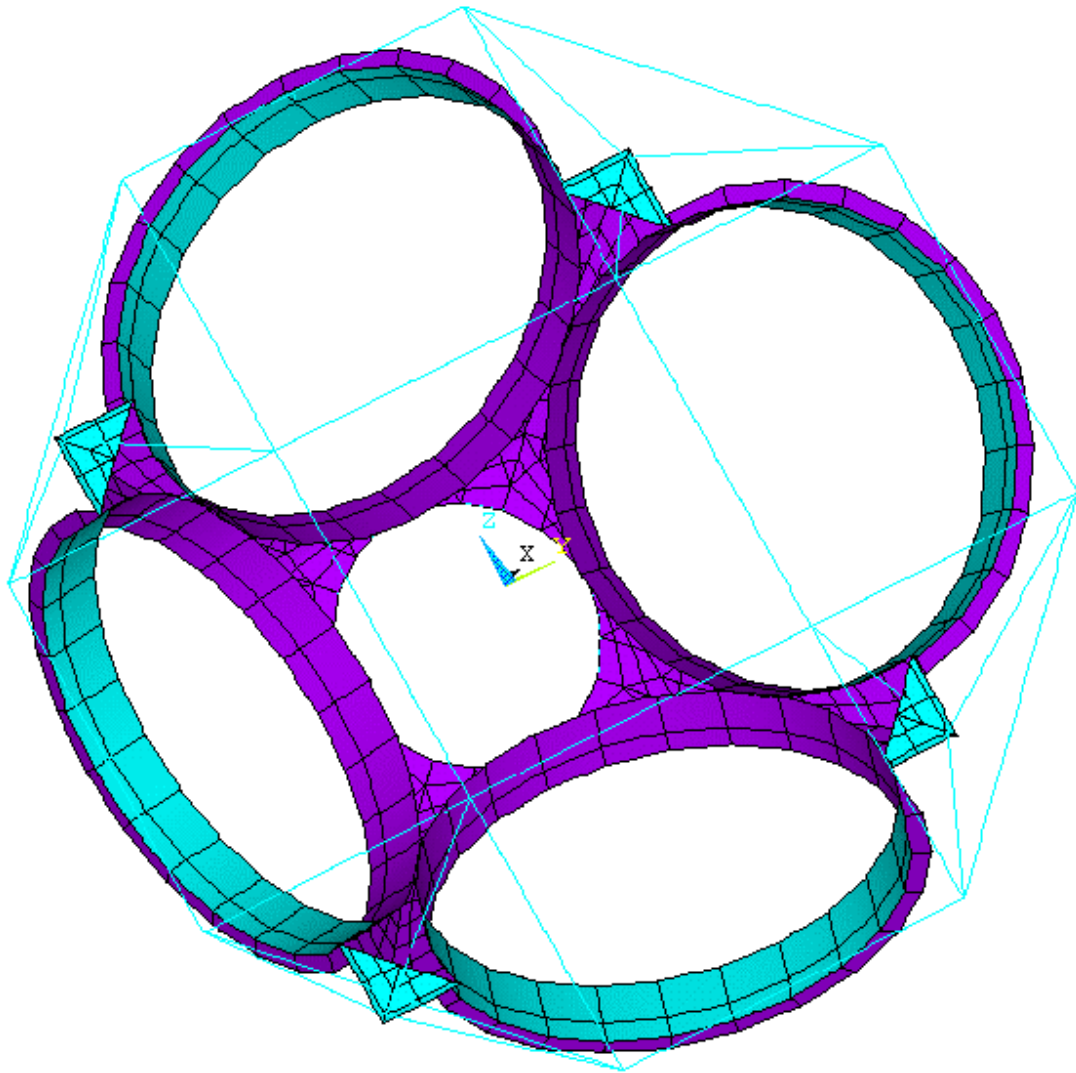


Fig.4 Revolver assembly

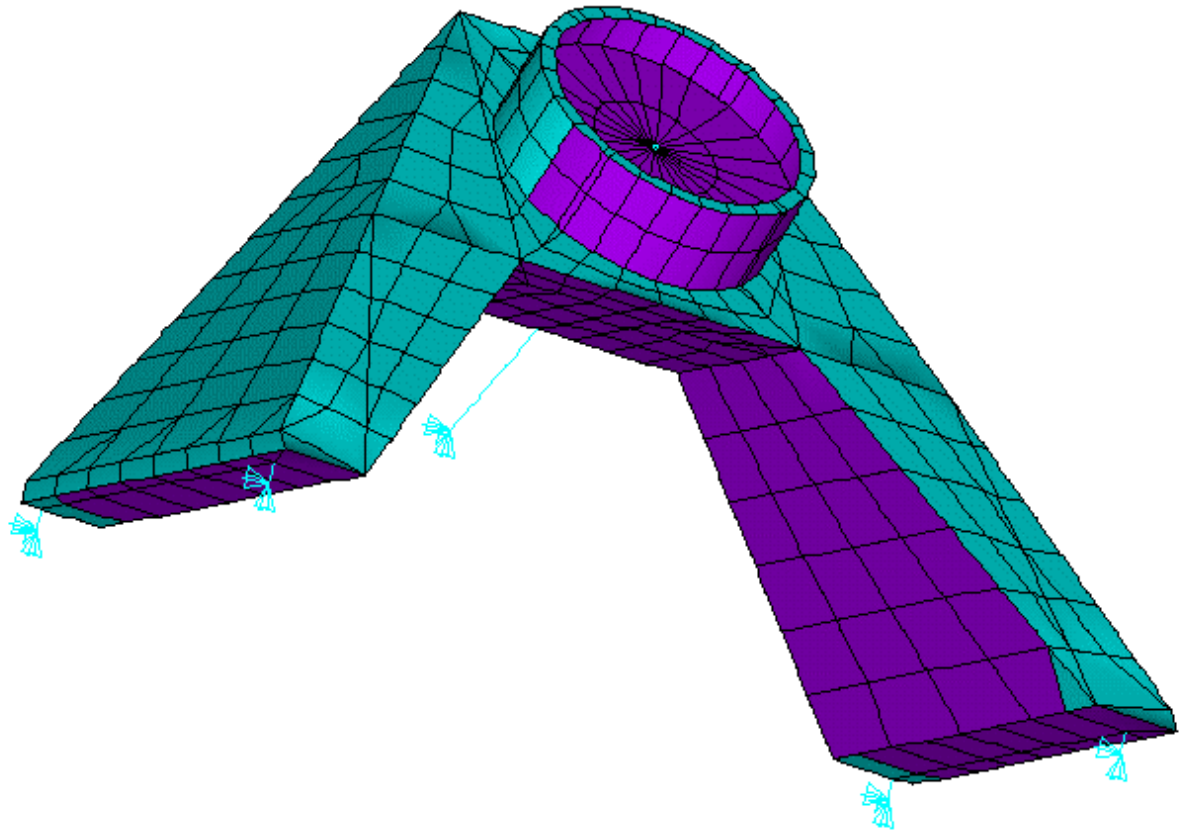
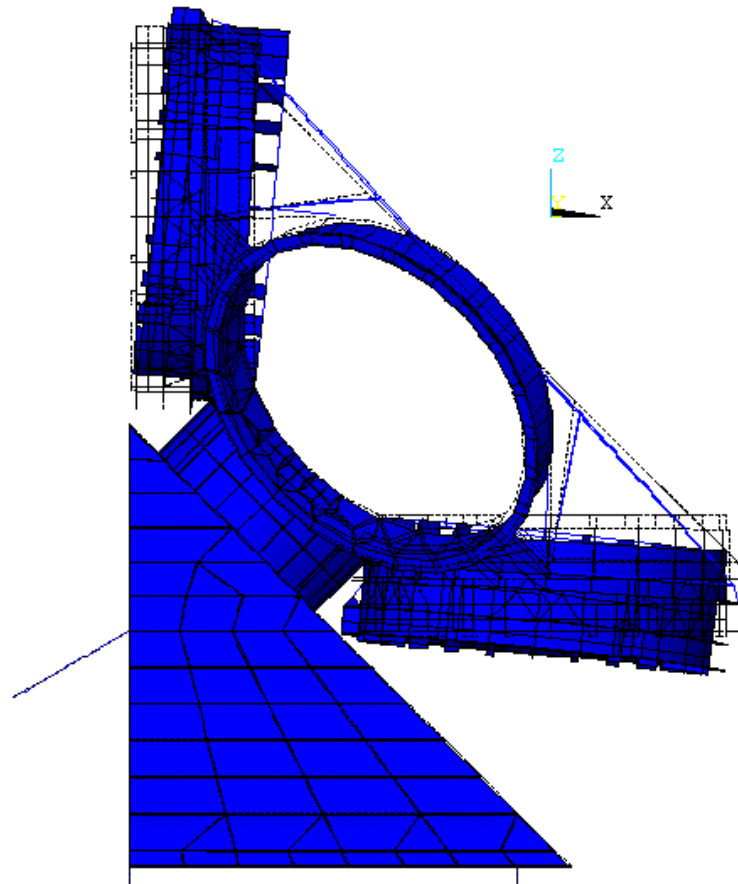


Fig.5 Base of Ozpoz with attachment points.



V3, MODE1, 13.3 HZ

Fig.6 Mode 1, 13.3 Hz

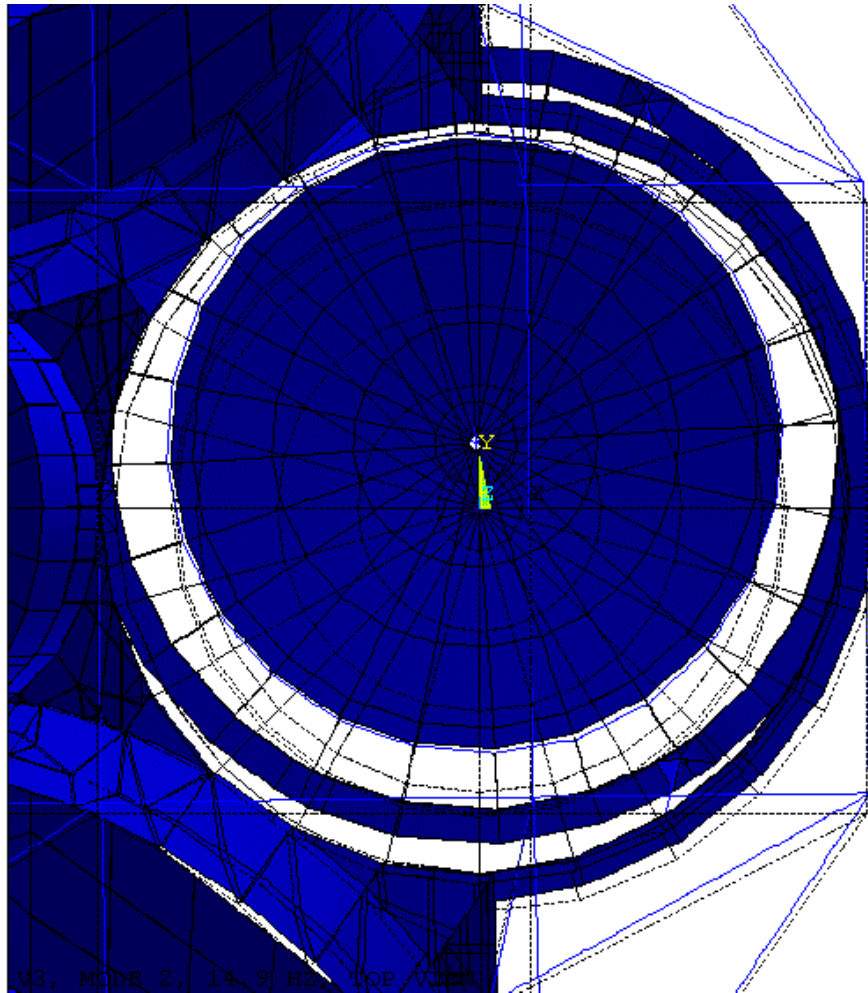
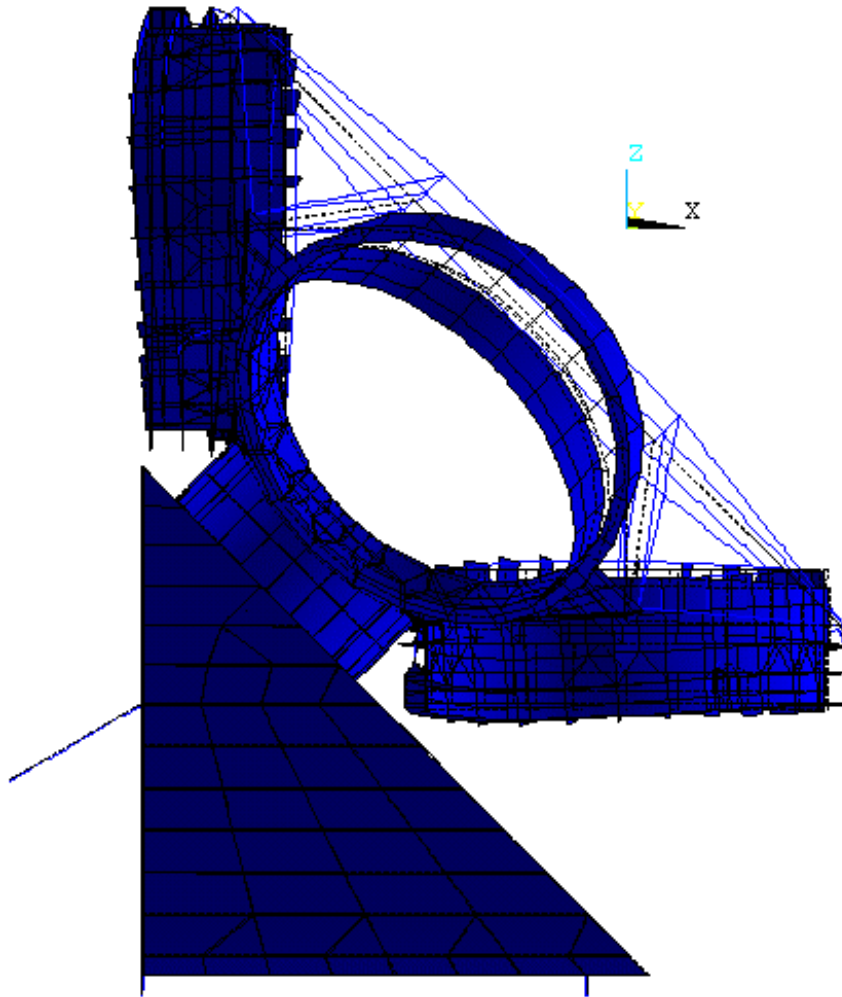


Fig.7 Mode 2, 14.9 Hz.



V3, MODE 13, 28.4 HZ

Fig.8 Mode 13, 28.4 Hz

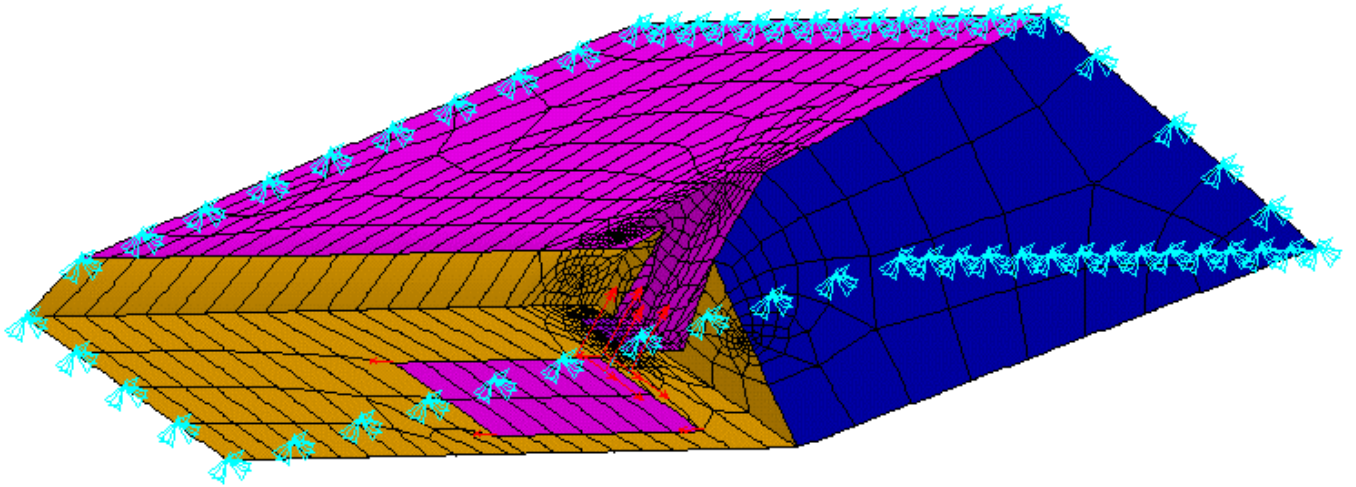


Fig.9 Leg fragment model

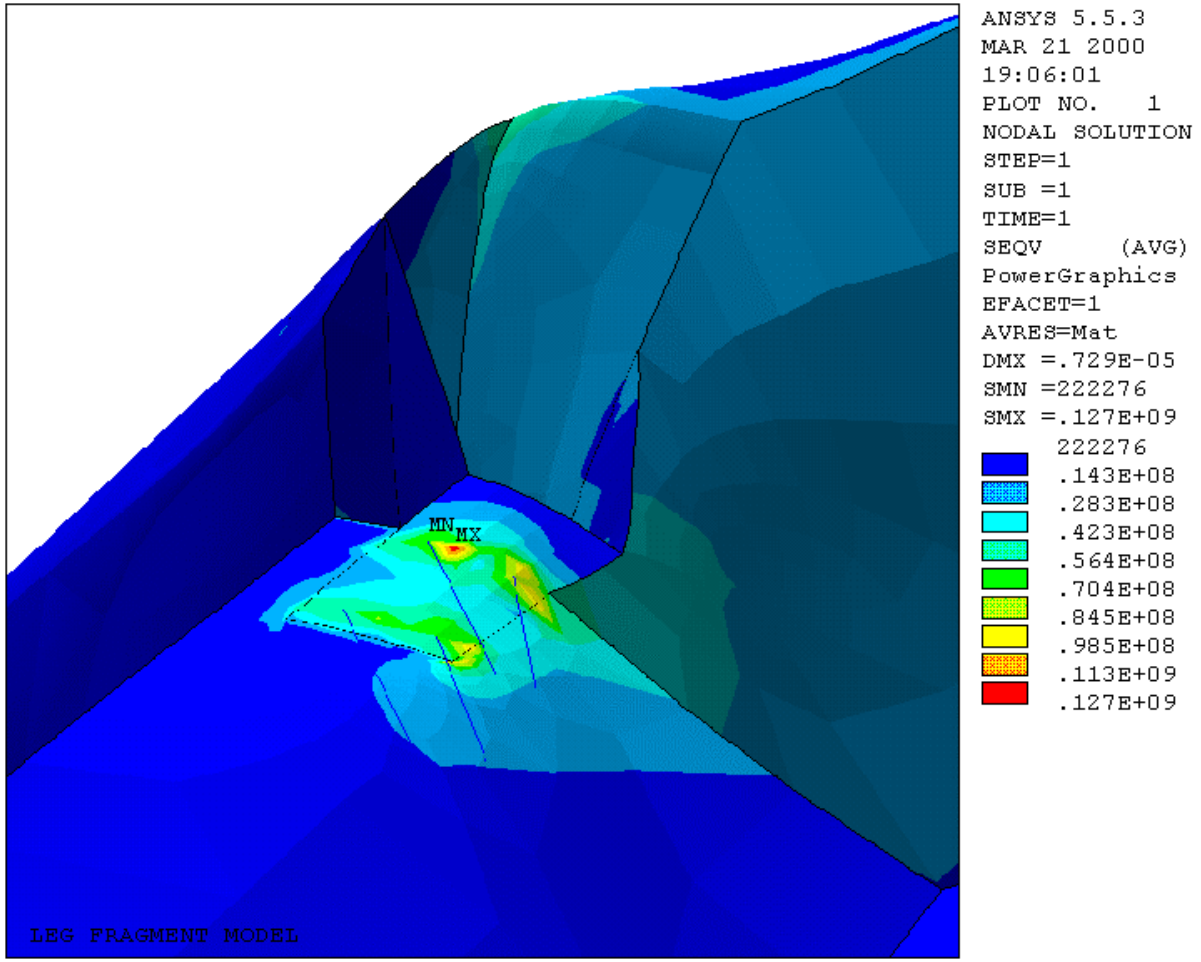


Fig.10 Leg model. Equivalent stress plot